



---

## CERTIFICATE OF APPROVAL

### No CF 5906

---

This is to certify that, in accordance with  
TS00 General Requirements for Certification of Fire Protection Products  
The undermentioned products of

## DOOR-STOP INTERNATIONAL LIMITED

### Subsidiary of Premdor Crosby Limited

Export drive, Huthwaite, Notts. NG17 6AF  
Tel No: 01623 446336

Have been assessed against the requirements of the Technical Schedule(s)  
denoted below and are approved for use subject to the conditions  
appended hereto:

---

**CERTIFIED PRODUCT**  
FD30 Certificated Apartment  
Entrance Timber Doorsets with  
GRP Facings

**TECHNICAL SCHEDULE**  
TS10 Fire Resisting Pedestrian  
Type Hinged or Pivoted  
Doorsets with Non-Metallic  
Leaves

Signed and sealed for and on behalf of Warringtonfire Testing and Certification Limited

Paul Duggan  
Certification Manager

Issued: 14<sup>th</sup> August  
Revised: 13<sup>th</sup> February 2021  
Valid to: 13<sup>th</sup> August 2025



Page 1 of 3





## CERTIFICATE No CF5906 DOOR-STOP INTERNATIONAL LIMITED

### DOOR-STOP INTERNATIONAL LIMITED – FD30 CERTIFICATED APARTMENT ENTRANCE TIMBER DOORSETS WITH GRP FACINGS

This approval relates to the use of the above doorsets in providing fire resistance of 30 minutes insulation (if incorporating not more than 20% of uninsulating glass) and 30 minutes integrity as defined in BS 476: Part 22. Subject to the undermentioned conditions, the doorsets would be expected to meet the relevant requirements of BS 9999 for FD30 doorsets when used in accordance with the provisions therein.

1. This certification is provided to the client for their own purposes and we cannot opine on whether it will be accepted by Building Control authorities or any other third parties for any purpose.
2. The doorsets are approved on the basis of:
  - i) Initial type testing
  - ii) A design appraisal against TS10
  - iii) Inspection and surveillance of factory production control
  - iv) Certification under a CERTIFIRE approved Quality Management System
  - v) Audit testing in accordance with TS10
3. The doors comprise cellulosic cored leaves with GRP faces for use with Veka Halo System 10 PVC-U frames, with intumescent edge seals (ITC).
4. This approval is applicable to complete doorsets only. It is a condition of this approval that an agreed Data Sheet accompanies the product and is complied with in its entirety. Failure to do so will invalidate this approval and may jeopardise the fire performance of the doorset.
5. This approval is applicable to latched and bolted, single-acting, single-leaf, doorsets, with maximum leaf dimensions as stated in Table 1 below:

Doorset configuration	Maximum Leaf Height (mm)	Maximum Leaf Width (mm)	Maximum Leaf Area (m <sup>2</sup> )
Single-Acting, Single-Leaf Latched & bolted (top / middle / bottom) Opening In / Opening Out	2013 (at 910 wide)	910 (at 2013 high)	1.83

Table 1

Note: Under no circumstances must either the maximum height or maximum width be exceeded without separate CERTIFIRE approval.

Signed Page  
E/254

2 of 3

Issued: 14<sup>th</sup> August 2020  
Revised: 13<sup>th</sup> February 2021  
Valid to: 13<sup>th</sup> August 2025



## CERTIFICATE No CF5906 DOOR-STOP INTERNATIONAL LIMITED

### DOOR-STOP INTERNATIONAL LIMITED – FD30 CERTIFICATED APARTMENT ENTRANCE TIMBER DOORSETS WITH GRP FACINGS

These doorsets are approved for use with and without glazed toplights with maximum overall frame dimensions as stated in Table 2 below:

Doorset configuration	Maximum Height (mm)	Maximum Width (mm)
Frame	2081 (at 1018 wide)	1018 (at 2081 high)
Toplight (excluding hardwood coupler)	415 (at 1018 wide)	1018 (at 415 high)
Frame & Toplight (including hardwood coupler)	2500 (at 1018 wide)	1018 (at 2500 high)

Table 2

Note: Under no circumstances must either the maximum height or maximum width be exceeded without separate CERTIFIRE approval.

The maximum frame dimensions stated in Table 2 do not include frame Knock Ons, which are permitted to be added where required.

- Glazing shall only be undertaken by the doorset manufacturer and shall be in accordance with the Data Information sheet and Construction Specification. No site cutting or glazing of apertures is permitted.
- Hardware items, including closing devices and intumescent fire seals, shall be as specified in the Data Sheet.
- The doorset shall be mechanically fixed to wall constructions having a fire resistance of at least 30 minutes as specified in the Data Sheet.
- Labels to the CERTIFIRE design, or approved by CERTIFIRE, referencing CERTIFIRE and CERTIFIRE Ref. No. CF5906 and FD30 classifications resistance shall be affixed to each door in the prescribed position.
- This approval relates to on-going production. The product and/or its immediate packaging is identified with the manufacturer's name, the product name or number, the CERTIFIRE name or name and mark, together with the CERTIFIRE certificate number and application when appropriate.

Signed Page  
E/254

3 of 3

Issued: 14<sup>th</sup> August 2020  
Revised: 13<sup>th</sup> February 2021  
Valid to: 13<sup>th</sup> August 2025

## DOOR-STOP INTERNATIONAL LIMITED CF5906 DATA SHEET

### 1. General

This doorset has been fire tested and is certified by CERTIFIRE as being capable of providing fire resistance of 30 minutes integrity and 30 minutes insulation (if incorporating not more than 20% of uninsulating glass) as defined in BS 476: Part 22, when installed in accordance with the following conditions. Subject to these, the doorset will meet the relevant requirements of BS 9999 for FD30 when used in accordance with the provisions therein.

In recognition of this, the leaf carries a prefixed label on the top or hanging edge of the door, issued under the terms of the CERTIFIRE scheme. This label uniquely identifies the door leaf, the manufacture of which complies with a CERTIFIRE approved Quality Management System and is subject to on-going surveillance. This label shall not be removed.

It is emphasised that the certification is conditional upon the following instructions being complied with in their entirety. **Failure to do so will invalidate this approval and may jeopardise the fire performance of the door.** Doorsets supplied pre-fitted with components by Door-Stop International Limited may be considered to meet the requirements in respect of those items.

### 2. Door Leaf Dimensions

This approval is applicable to latched and bolted, single-acting, single-leaf, assemblies, at maximum leaf dimensions as stated in Table 1 below:

Doorset configuration	Maximum Leaf Height (mm)	Maximum Leaf Width (mm)	Maximum Leaf Area (m <sup>2</sup> )
Single-Acting, Single-Leaf Latched & bolted (top / middle / bottom) Opening In / Opening Out	2013 (at 910 wide)	910 (at 2013 high)	1.83

**Table 1**

These doorsets are approved for use with and without glazed toplights with maximum overall frame dimensions as stated in Table 2 below:

Doorset configuration	Maximum Height (mm)	Maximum Width (mm)
Frame	2081 (at 1018 wide)	1018 (at 2081 high)
Toplight (excluding hardwood coupler)	415 (at 1018 wide)	1018 (at 415 high)
Frame & Toplight (including hardwood coupler)	2500 (at 1018 wide)	1018 (at 2500 high)

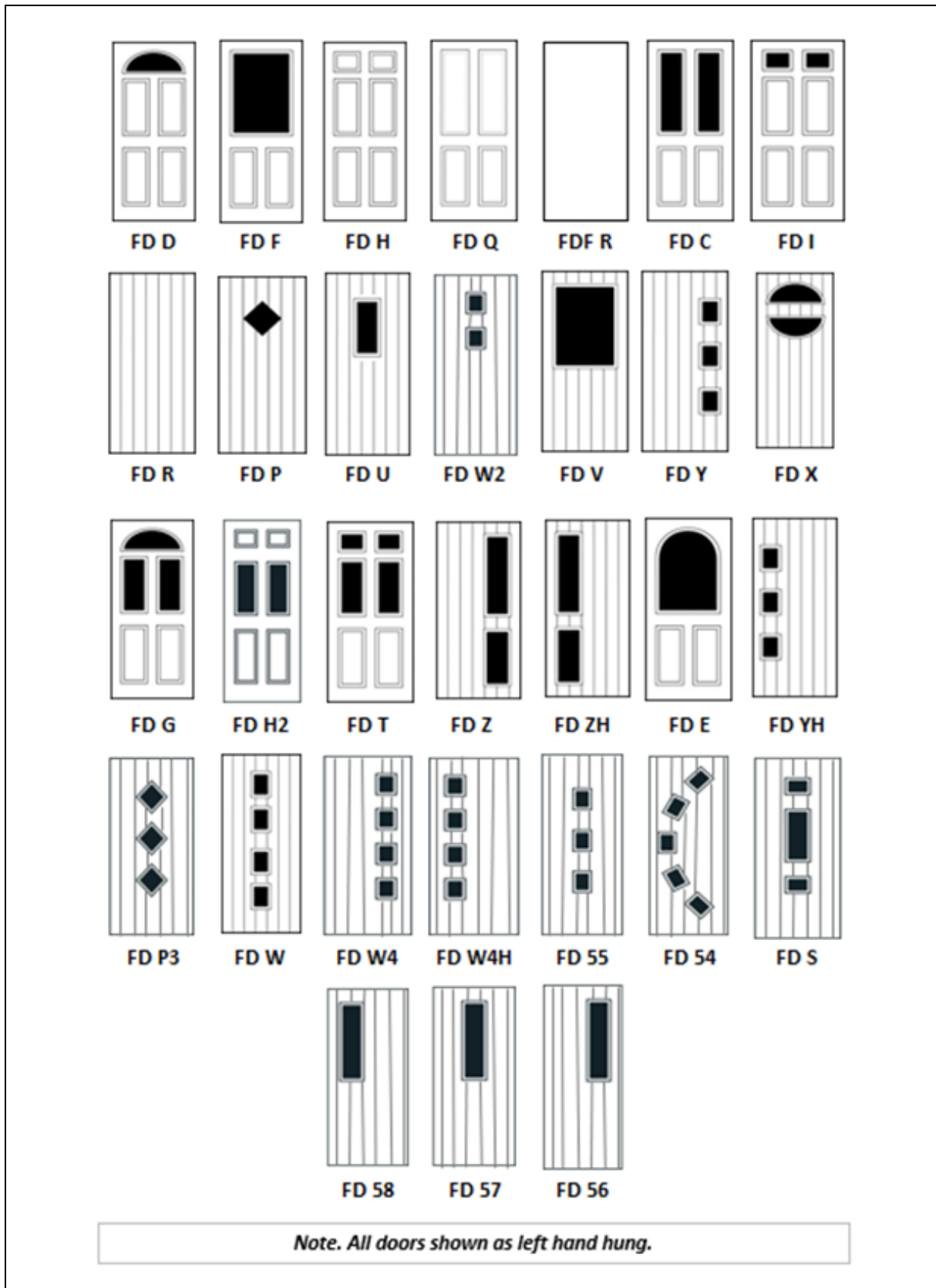
**Table 2**

Note: Under no circumstances must either the maximum height or maximum width be exceeded without separate CERTIFIRE approval.

The maximum frame dimensions stated in Table 2 do not include frame Knock Ons, which are permitted to be added where required.

### 3. Door leaf configurations

This approval is applicable to door leaves with the following elevations:



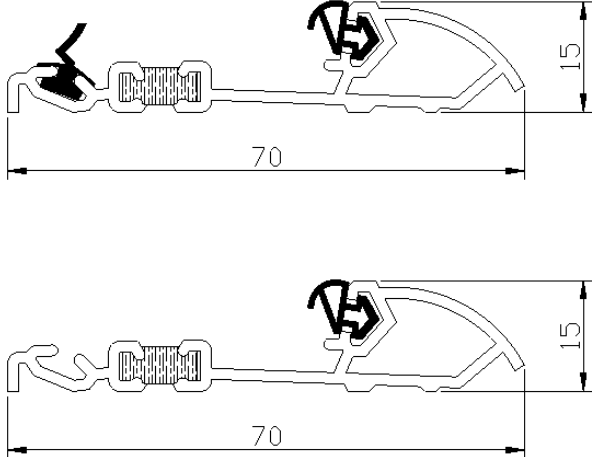
## 4 Door Frames

4.1 PVC-U frames are to comply with the following:-

<b>PVC-U</b>	Reference:	705808 - Veka Halo System 10 frame profile with integral stop	
	Dimensions:	70mm wide by 68 mm thick overall.	
<b>Knock Ons</b>	<p>The frame may be extended by the use of a 15 mm thick by 70 mm wide knock on component 114039.</p> <p>Frames incorporating a knock on section are to include intumescent seals in accordance with the requirements stated in the 'Intumescent Seals' section of the Data Sheet.</p>		
<b>Reinforcement</b>	Material:	Deceunick PVC-U WER BAR	Softwood
	Dimensions:	34 mm wide by 28 mm deep	22 mm wide by 20 mm thick (±0.5 mm)
	Density:	-	Min 430 kg/m <sup>3</sup>
<b>Joints</b>	<p>Welded and Grooved, complete with joint reinforcement, in the form of a metal corner brace, 75 mm by 75 mm by 1.5 mm thick fixed with 4 mm Ø by 30 mm woodscrews located on the external corner of the head and jamb joint of the door frame or toplight, where fitted.</p>		

## 5 Thresholds

Thresholds shall be fitted to these doorsets in accordance with the specification below:

<p><b>Threshold</b></p>	<p>Exitex EXI-MSXDSI threshold complete with end caps and 4No. fixings. 2No fixings required each side, min. 4.3 mm Ø by 55 mm self tapping woodscrews.</p> <p>The flipper seal to the threshold is optional and can therefore be removed if required as detailed below:</p>
	

## 6. Door to frame gaps

<p><b>Door to frame gaps:</b></p>	<p>Not to exceed 6.3 mm except at threshold where up to 6.4 mm is permitted.</p> <p>The opening face of door leaf may protrude from the frame by a maximum of 3 mm resulting in a permitted minimum door to frame effective rebate depth of 41 mm.</p>
-----------------------------------	--

## 7. Supporting Construction

The doorsets are approved to be installed in brick, block, masonry or timber stud partitions of minimum thickness 85 mm, providing at least 30 minutes fire resistance. Where timber stud partitions are used these should be suitably constructed to provide a secure fixing for the doorsets as recommended by the partition manufacturer.

Metal stud supporting constructions require reinforcing with softwood timber studwork within the metal channels, in order to provide robust fixing of the doorsets as recommended by the partition manufacturer.

## 8. Installation

The opening may be lined with hardwood which shall be continuous and of minimum width, 85mm and minimum thickness 25 mm.

Frames - Each door frame jamb to be fixed through to the wall at not less than four points with steel or nylon frame fixings at maximum 600 mm centres penetrating the wall to at least 45 mm.

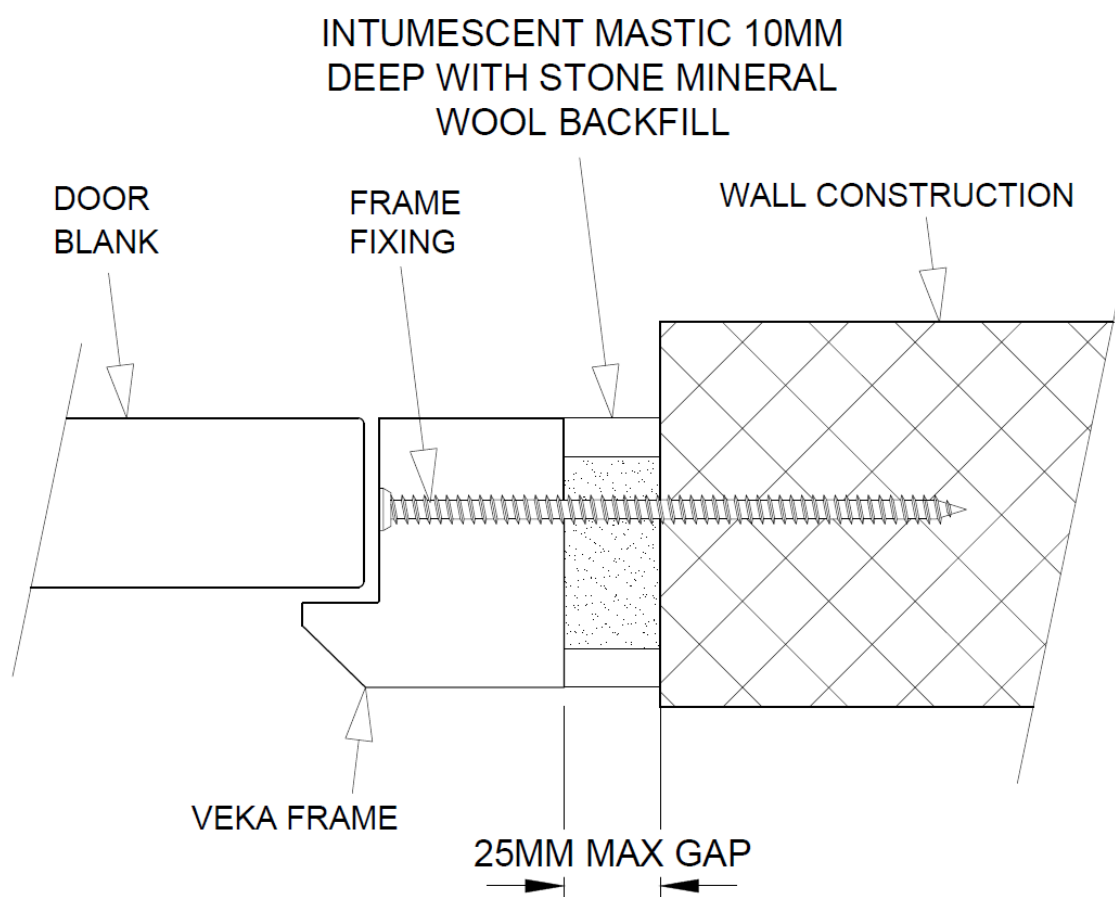
The option to utilise Veka, steel frame fixing straps is also permitted when installed using steel fixings with steel or nylon plugs penetrating the wall by at least 40 mm at maximum 600 mm centres.

Toplights – each toplight is to be secured to the door frame by the use of couplers and straps, but additionally require 1No Veka steel frame fixing strap to each vertical edge, to be positioned approximately centrally within the toplight height. The Veka steel frame fixing straps will be screwed to the external face of the Veka Halo System 10 frame and screwed into the wall construction. Straps are to be fixed using steel fixings with steel or nylon plugs penetrating the wall by at least 40 mm.

Alternatively, toplights may be fixed through to the wall at not less than one point on each vertical edge with steel or nylon frame fixings to be positioned approximately centrally within the toplight height, penetrating the wall to at least 45 mm.

Doorsets shall be installed in accordance with the manufacturer's installation instructions. Suitable CERTIFIRE approved lineal gap sealing systems may also be utilised to protect the frame/supporting construction gap, subject to the conditions contained within the relevant certificate.

In addition, the installer may use the following construction detail for installation, with optional architraves / quadrants beads.



The use of third party accredited installers provides a means of ensuring that installations have been conducted by knowledgeable contractors, to appropriate standards, thereby increasing the reliability of the anticipated performance in fire.



The trimming of door leaves is not permitted.

Full installation instructions and care and maintenance instructions are available from Door-Stop International Limited and will be supplied with each doorset.

### 9. Solid Overpanels / Solid Sidepanels / Glazed Sidelights

Not Permitted

### 10. Glazed Apertures

All apertures to be factory prepared and glazed by Door-Stop International Limited. No site cutting or glazing of apertures is permitted.

**Please note that for fire performance the fire rated glass within the DGU may be positioned on either face of the door leaf.**

Aperture dimensions\*: No restriction on the number in accordance with the maximum dimensions shown in the table below.

Area\*: Maximum total glazed area of 0.558 m<sup>2</sup> per leaf  
Maximum total glazed area of 0.558 m<sup>2</sup> per aperture

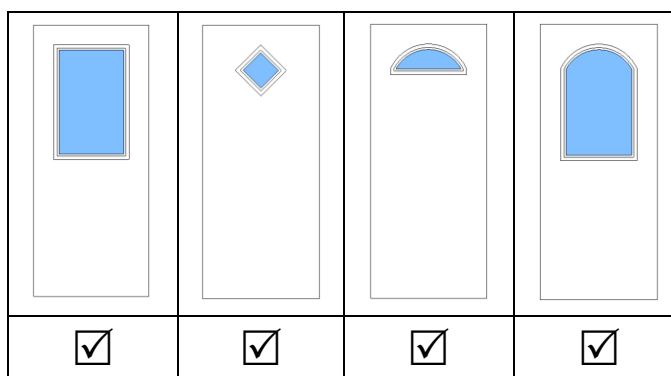
Margins: 69.5 mm from the perimeter edge, 69.5 mm between apertures and 42 mm between apertures and letterplate cut outs.

Edge Clearance: 12.5 mm nominal

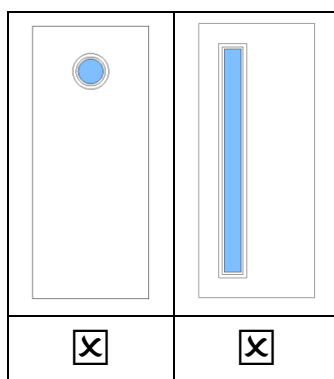
Notes: A bead of glazing silicone is required to the back face of the cassette.  
\* These maximum dimensions relate to the overall IGU sizes.

Maximum Aperture Dimensions*		
Height (mm)	Width (mm)	Area (m <sup>2</sup> )
945	591	0.558

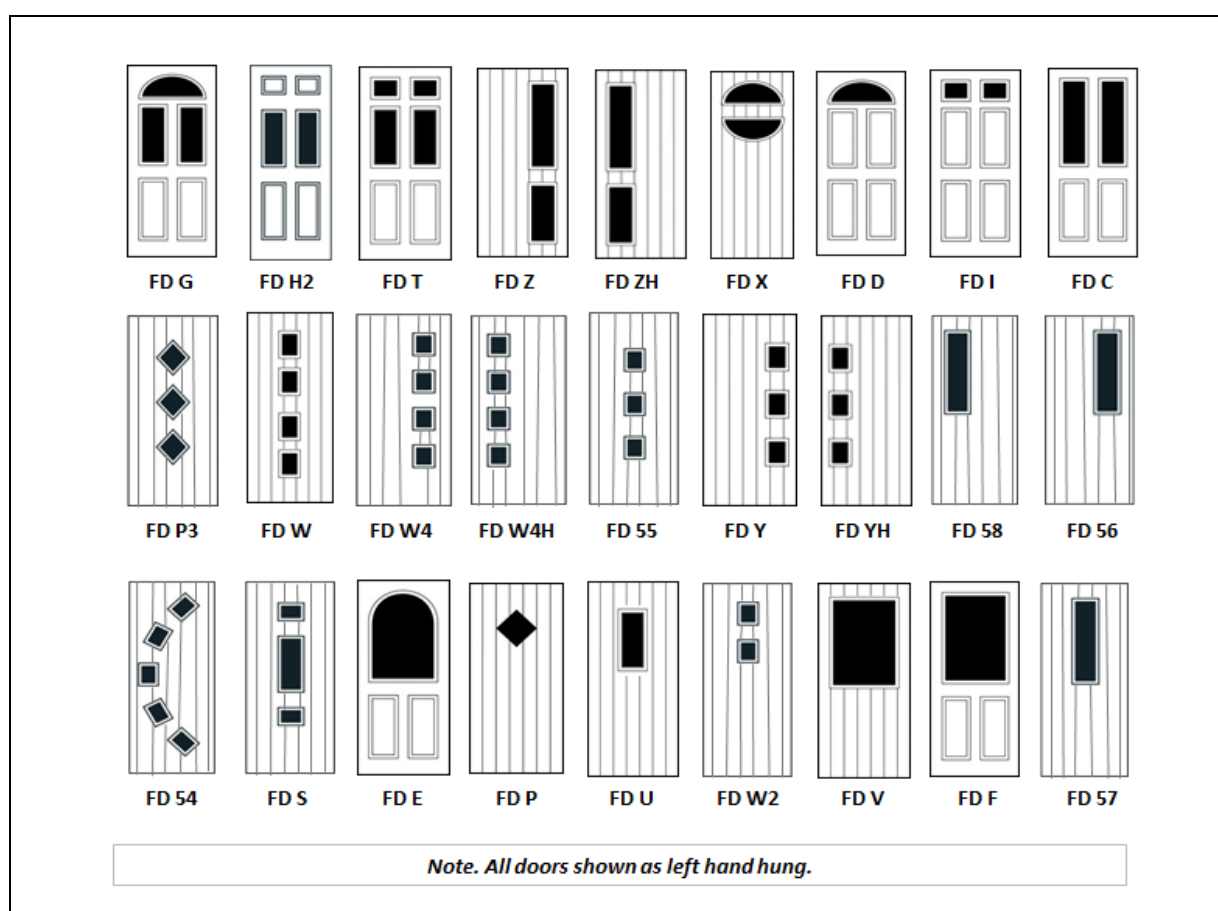
Aperture shape: Apertures are limited to being square / rectangular / diamond or semi-circular based only as detailed below:



The use of circular and tall/narrow apertures is not permitted.



On this basis the following glazed door elevations would be permitted:



## 11. Toplights

Where toplights are installed utilising Veka steel frame fixing straps the toplights will be factory glazed by Door-Stop International Limited.

Where the toplights are installed using traditional fixings they will be glazed in accordance with the manufacturer's installation instructions

**Please note that for fire performance the fire rated glass within the DGU may be positioned on either face of the toplight.**

Toplight dimensions: Toplights formed from a single glazed unit above a door leaf may be included up to the following maximum dimensions:

Maximum Permitted Fanlight unit Dimensions (overall frame excluding coupler)		
Max. Height (mm)	Max. Width (mm)	Max. Area (m <sup>2</sup> )
415 (at 1018 wide)	1018 (at 415 high)	0.42

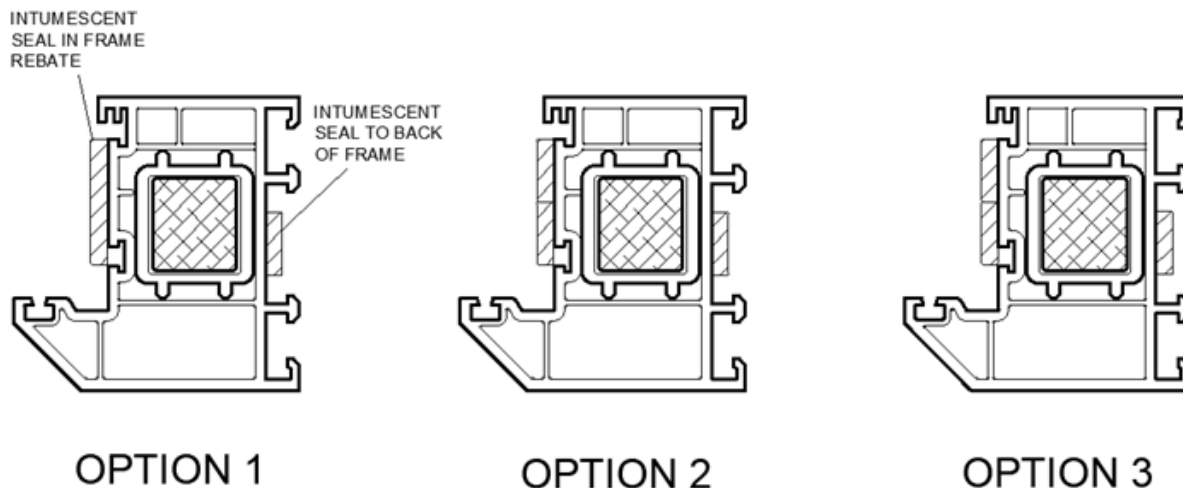
## 12. Intumescent Seals

CERTIFIRE certificated intumescent seals are required to be fitted to these doors as below.

**For doorsets to BS476: Part 22 – classified as FD30**

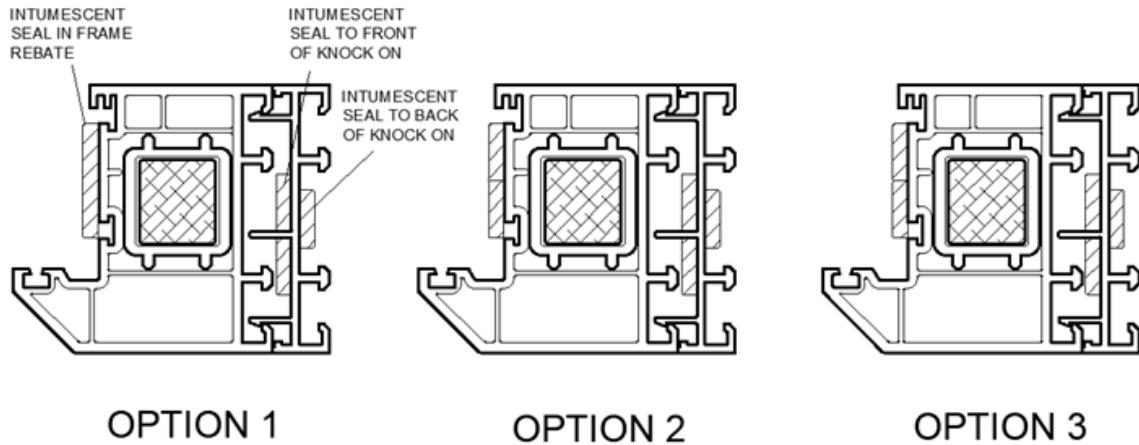
**Veka Halo System 10 PVC-U Frames – Without Knock On section**

Doorset Configuration*	Frame Type	Position	Required Intumescent Protection
Single-acting, Single-leaf Latched and bolted  <b>Option One</b>	Veka Halo System 10 PVC-U  <b>Without Knock On</b>	Frame Jamb / Head <b>Reveal</b>	1No 30 mm wide by 4 mm thick Mann McGowan Pyrostrip 500P (CF356) intumescent strip self-adhered within the frame rebate, as shown.
		Frame Jamb / head <b>Rear</b>	1No 15 mm wide by 4 mm thick Mann McGowan Pyrostrip 500P (CF356) intumescent strip self-adhered centrally to the rear face of the frame as shown.
Single-acting, Single-leaf Latched and bolted  <b>Option Two</b>	Veka Halo System 10 PVC-U  <b>Without Knock On</b>	Frame Jamb / Head <b>Reveal</b>	2No 15 mm wide by 4 mm thick Mann McGowan Pyrostrip 500P (CF356) intumescent strips self-adhered, side by side within the frame rebate, as shown.
		Frame Jamb / head <b>Rear</b>	1No 15 mm wide by 4 mm thick Mann McGowan Pyrostrip 500P (CF356) intumescent strip self-adhered centrally to the rear face of the frame, as shown
Single-acting, Single-leaf Latched and bolted  <b>Option Three</b>	Veka Halo System 10 PVC-U  <b>Without Knock On</b>	Frame Jamb / Head <b>Reveal</b>	2No 15 mm wide by 4 mm thick Intumescent Seals Ltd. Therm-A-Seal intumescent strips self-adhered, side by side within the frame rebate, as shown
		Frame Jamb / head <b>Rear</b>	1No 15 mm wide by 4 mm thick Intumescent Seals Ltd. Therm-A-Seal intumescent strip self-adhered centrally to the rear face of the frame, as shown



**Veka Halo System 10 PVC-U Frames – With Knock On section**

Doorset Configuration*	Frame Type	Position	Required Intumescent Protection
Single-acting, Single-leaf Latched and bolted  <b>Option One</b>	Veka Halo System 10 PVC-U  <b>With Knock On</b>	Frame Jamb / Head <b>Reveal</b>	1No 30 mm wide by 4 mm thick Mann McGowan Pyrostrip 500P (CF356) intumescent strip self-adhered within the frame rebate.
		Knock On <b>Front</b>	2No 15 mm wide by 4 mm thick Mann McGowan Pyrostrip 500P (CF356) intumescent strips self-adhered, within the knock on.
		Knock On <b>Rear</b>	1No 15 mm wide by 4 mm thick Mann McGowan Pyrostrip 500P (CF356) intumescent strip self-adhered centrally to the rear face of knock on.
Single-acting, Single-leaf Latched and bolted  <b>Option Two</b>	Veka Halo System 10 PVC-U  <b>With Knock On</b>	Frame Jamb / Head <b>Reveal</b>	2No 15 mm wide by 4 mm thick Mann McGowan Pyrostrip 500P (CF356) intumescent strips self-adhered, side by side within the frame rebate.
		Knock On <b>Front</b>	2No 15 mm wide by 4 mm thick Mann McGowan Pyrostrip 500P (CF356) intumescent strips self-adhered, within the knock on.
		Knock On <b>Rear</b>	1No 15 mm wide by 4 mm thick Mann McGowan Pyrostrip 500P (CF356) intumescent strip self-adhered centrally to the rear face of knock on.
Single-acting, Single-leaf Latched and bolted  <b>Option Three</b>	Veka Halo System 10 PVC-U  <b>With Knock On</b>	Frame Jamb / Head <b>Reveal</b>	2No 15 mm wide by 4 mm thick Intumescent Seals Ltd. Therm-A-Seal intumescent strips self-adhered, side by side within the frame rebate.
		Knock On <b>Front</b>	2No 15 mm wide by 4 mm thick Intumescent Seals Ltd. Therm-A-Seal intumescent strips self-adhered, within the knock on.
		Knock On <b>Rear</b>	1No 15 mm wide by 4 mm thick Intumescent Seals Ltd. Therm-A-Seal intumescent strip self-adhered centrally to the rear face of knock on.



\*See Tables 1 2 for size restrictions. Intumescent may be interrupted at hardware positions

### 13. Weather Seals

<b>Frame</b>	<p>Veka Halo System 10 5CD-G1 weather seal, co-extruded into Veka Halo System 10 frame profile complete with optional Exitex 5CD-WS1 brush seal.</p>
	<p>EXITEX 5CD-WS1</p> <p>VEKA 5CD-G1</p> <p><b>Position of Weather Seals within Veka Halo System 10 Frame</b></p>
<b>Toplight</b>	<p>Veka Halo System 10 5CD-G1 weather seal, co-extruded into Veka Halo System 10 frame profile complete with co-extruded seal into Veka Halo System 10 sculptured bead 707432 (DSI ref: VEK-B28-S).</p>
	<p>707432 (VEK-B28-S) BEAD WITH CO-EXTRUDED SEAL</p> <p>VEKA 5CD-G1</p> <p><b>Position of Weather Seals within Toplight</b></p>

## 14. Hinges

Hinges shall be in accordance with the following specification:

Manufacturer / Ref:	Union - Power Load JH603BU	
Number:	Minimum 3 No.	
Type:	Stainless steel butt hinges.	
Positions:*	Top hinge:	Max. 205 mm from the top of door to the top hinge.
	Middle hinge:	Positioned at the mid-height of door leaf ( $\pm 100$ mm)
	Bottom hinge:	Max. 205 mm from the bottom of the door to the bottom hinge.
	*Notes:	The datum in all cases is the centreline of the hinge.
Dimensions:	Blade height:	100 mm ( $\pm 1$ mm)
	Blade width:	35 mm ( $\pm 1$ mm)
	Blade thickness:	3 mm ( $\pm 0.5$ mm)
	Knuckle $\varnothing$ :	13 mm ( $\pm 1$ mm)
Fixings:	5No. steel screws, minimum 5 mm $\varnothing$ by 40 mm long	
Intumescent Protection	1 mm thick Therm-A-Strip or Interdens (Mono Ammonium Phosphate) intumescent sheet material to all hinge blades.	



**Hinge complete with Intumescent Protection**

## 15. Locks and Latches

Multipoint locks with auto bolting functionality to top and bottom locks and a latch bolt to the central lock, are to be fitted to these doorsets in accordance with the specification below:

<b>GU Secury Lock</b>		
Manufacturer:	Gretsch Unitas – GU Secury Automatic Vds class A, M101313	
Reference:	Lock	6-36037-44-0-1
	Central keep:	L-10000-14-L-1 or L-10000-14-R-1
	Top & Bottom Keeps	L-10000-14-0-1
Case dimensions:	Central	186 mm high by 60 mm deep by 15 mm wide
	Top & Bottom	120 mm high by 41 mm deep by 15 mm wide
Forend dimensions:	1770 mm high by 20 mm wide by 2.5 mm thick	
Keep dimension:	Central	210 mm high by 43 mm wide by 2mm thick (including a 50 mm by 8 mm lip).
	Top & Bottom	140 mm high by 43 mm wide by 2 mm thick (including a 50 mm by 8 mm lip).
Fixing Method:	Forend and lock cases mortised into the lock edge of the door leaf with the forend fixed using 4.3 mm Ø by 40 mm long steel screws. The strike plates are mortised within the lock jamb of the frame and screw fixed into position with 3No 4.3 mm Ø by 40 mm long steel screws to the central keep and 2No 4.3 mm Ø by 40 mm long steel screws to the top and bottom keeps.	
Latchbolt material:	Steel	
Position:	Max. 1031 mm from bottom of door to centreline of central lock spindle	
Lock Configuration:	Central	Engaged latchbolt
	Top & Bottom	Engaged
Cylinder	UAP Kinetica 3 star thumbturn Euro profile cylinder (KM56 1977) referenced KIN30T/30 or KIN30/30, fixed with 1No. M5 by 45 mm machine screw	
Intumescent protection	All lock cases:	Intumescent Seals Ltd. Therm-A-Strip, or Interdens, 1 mm thick mono ammonium phosphate, self-adhesive, intumescent sheet material to both faces of the top, centre and bottom lock case, within the door leaf.
	Centre lock case:	Intumescent Seals Ltd. graphite based self-adhesive Fireglaze tape, 17 mm wide by 2.5 mm thick applied along the back edge of the centre lock case only.
	Centre lock keep:	Mann McGowan, Heatseal, graphite based, self-adhesive intumescent pads. 1No. pad 30 mm by 60 mm by 1 mm thick and 1No. 30 mm by 90 mm by 1 mm thick, applied within the keep recess within the frame.
	Top & Bottom keep:	Mann McGowan, Heatseal, graphite based, self-adhesive intumescent pad, 30 mm by 60 mm by 1 mm thick, applied within the keep recess within the frame.
Handles	Yale (Trojan) Sparta lever handles referenced 0757-2003 (DSI TRO-LL) 135 mm long by 10-24 mm Ø with a 70 mm projection, with backplate 243 mm by 33 mm by 11 mm by 2.5 mm deep fixed with 2No. 4.5 mm by 57 mm through bolts. Outside lever is stainless steel / inside lever is alloy.	
Recessing for locks shall result in a tight fit, allowing for any intumescent protection.		



## **16. Self-Closing Devices**

All doors are required to be fitted with a CERTIFIRE certificated self-closing device. The exceptions are doors kept locked shut such as service access doors. Note: closers with mechanical hold-open mechanisms are not permitted to be used. Building Regulation guidance may identify locations within domestic locations where self-closing devices are not mandatory.

The closers shall have a power rating appropriate to the leaf sizes, subject to the closer having the ability to close the door from any angle and against any latch and/ or seals fitted. The closer shall have the ability to provide size 3 closing force. Where doors are unlatched a minimum size 3 shall be maintained.

Refer to the installation instructions for instructions on the appropriate adjustment of door closers, once installed to ensure compliant opening and closing forces are achieved.

Closers shall be CE Marked against EN 1154 and categorised as grade 1 – suitable for use on fire / smoke doorsets.

### **16a Surface mounted overhead closers**

The use of Dormakaba TS92B or TS72 surface mounted overhead closers is permitted.

Alternative CERTIFIRE approved surface mounted overhead closer approved for use on 'ITC' doorsets may be fitted, subject to the conditions contained within the relevant CERTIFIRE certificate of approval.

### **16b Transom Mounted and Concealed Overhead Closers**

Not permitted

### **16c Floor Springs**

Not permitted

### **16d Jamb mounted door closers / door springs**

Not permitted

## **17. Ancillary items**

**Please note that hardware items other than those discussed within this certificate of approval are not permitted.**

### **17a Coat Hooks, Door Knockers and Other Surface Mounted Hardware**

Ancillary items which are wholly surface mounted may be fitted providing:

- These items are screw fixed with steel or brass screws, maximum 4.5 mm Ø by 30 mm long, or bonded only.
- Are not bolted through the full thickness of the door
- Are not directly above, or closer than 100 mm to any non-insulated glazing



## 17b Protection plates and signage

Surface mounted plastic, steel, aluminium or brass plates are acceptable on the basis that they are:

- < 2mm thick
- Do not occupy more than 20% of the door leaf in total or exceed 500mm in height for kickplates and 300mm for mid-plates, whichever is the smaller.
- Do not wrap around the vertical edges, and on the closing face do not extend beneath the door stops (generally 40-50mm narrower than door width)
- Plates/signage can be bonded with a thermally softening adhesive. Additionally, countersunk screws may be used with maximum dimensions of 4.5 mm Ø by 25 mm long.
- Plates in accordance with the rules above may be applied to one / both door leaf faces as required.

## 17c Door Viewers

Where door viewers are fitted, the aperture for the door viewer will be formed by Door-Stop International Limited and comply with the following specification:

Manufacturer:	UAP Limited	
Reference:	SWALF	
Overall dimensions:	14 mm external barrel diameter by 35 - 55 mm long requiring a 17 mm Ø maximum recess.	
Quantity / Position:	1No. Door viewer:	Positioned at maximum 1550 mm from the bottom of the door to the centre of the viewer.
	2No Door viewers:	Positioned at maximum 1450 mm from the bottom of the door to the centre of the door viewer, with a minimum 100 mm margin between door viewer centres.
Intumescent Protection:	Intumescent Seals Ltd. Therm-A-Strip, or Interdens, 1 mm thick mono ammonium phosphate, self-adhesive, intumescent sheet material wrapped around the door viewer barrel, with dimensions 47 mm by 30 mm.	

The use of alternative door viewers is permitted providing the viewer comprises a metal sleeve and an optical glass lens and is not positioned higher than 1510 mm from the threshold.

Alternative door viewers are to have a maximum external barrel diameter of not greater than 14 mm and be tightly fitted within the recess, complete with 1 mm thick Therm-A-Strip intumescent sheet material to fully line the recess.

## 17d Dropseals

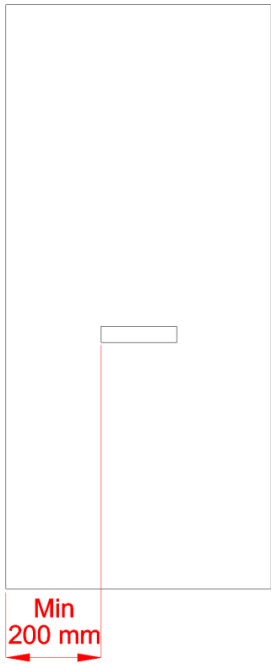
Not permitted

## 17e Pull Handles

Screw-fixed, bolt-fixed from the back and back-to-back fixed pull handles of steel, brass, aluminium and nylon coated, are permitted providing any through-bolt fixing comprises steel M10 bolts as a maximum, which are to be tightly fitted within the recess.

## 17f Letter Plates

Where letterplates are fitted, the aperture for a letter plate will be formed by Door-Stop International Limited and comply with the following specification:

Manufacturer:	UAP Limited	
Reference:	Soterian TS008 security letter plate (KM670828)	
Overall dimensions:	Letterplate	115 mm high by 300 mm long by 35 mm deep
	Cut out	56 mm high by 259 mm long
Position:	Letterplates are to be positioned centrally within the leaf width, whilst ensuring a minimum 200 mm vertical margin is maintained, as detailed:	
	Where doors are glazed, a minimum margin of 42 mm must be maintained between the aperture cut out and the letterplate cut out,	
	Maximum	1000 mm from the bottom of the door leaf to the centreline of the letter plate aperture
	Minimum	700 mm from the bottom of the door leaf to the centreline of the letter plate aperture
		
Quantity:	Maximum 1No Letterplate shall be fitted to each door leaf.	
Orientation:	Letter plates are to be installed in a horizontal orientation only.	
Intumescent Protection:	UAP Intumescent protection pack supplied pre-fitted to the letter plate (around the internal sheath and around the 4No. fixing holes).	
Fixing:	Letter plates to be fixed into position using the screws provided (4No. M6 by 21 mm machine bolts / 6No. 3.5 mm diameter by 25 mm wood screws / 2No M4 by 9 mm long stay screws) in accordance with the manufacturer's instructions.	

The use of alternative letterplates is permitted on the basis they are CERTIFIRE approved for use in FD30 timber based fire doors. The letterplates must be fitted in line with the relevant CERTIFIRE certificate for the letterplate whilst maintaining compliance with the positional requirements stated above.

Care must be taken to ensure all letterplate fitting instructions are followed, including any constraints imposed by the CERTIFIRE certificate when using alternative letterplates, with regards to the fitment of the specified intumescent protection.

### 17g Flushbolts

Not permitted

### 17h Electric Strikes / Electromechanical locks

Not permitted

### 17i Air transfer grilles

Not permitted

### 17j Drip bar

Drip bars are optional, but where fitted, shall comply with the following specification:

Supplier	Aperture Trading Ltd
Reference:	5WB1
Material:	PVC-U
Fixings:	3No. 4 mm diameter by 10 mm nipple screws

## 18. Test Data

The following fire resistance test report numbers have been used to provide the scope contained within CF5906 and has been sampled in accordance with TS10:

CFR1712081	CFR1805231	CFR1808291	CFR1808301
CFR1809201	CFR1810121	CFR1812041	CFR1812051
CFR1901091	CRF1902051	CFR1902061	CFR1903121
CFR1910221	CFR1910231	CFR1911191	CFR1911201
CFR1912172	CFR1912181	WF348533	WF384028
WF384034			

**The above referenced test data includes doorsets opening both towards and away from the furnace conditions proving the suitability of exposure from either direction.**

## 19. Further Information

Further information regarding the details contained in this data sheet, constructional specification, installation instructions and care and maintenance instructions may be obtained from Door-Stop International Limited a subsidiary of Premdor Crosby Limited (Tel: +44 (0) 1623 446336 / [www.door-stop.co.uk](http://www.door-stop.co.uk)).

Further information regarding the CERTIFIRE certification and other approved products can be obtained from Warringtonfire Testing and Certification (Tel: +44 (0) 1925 646777).